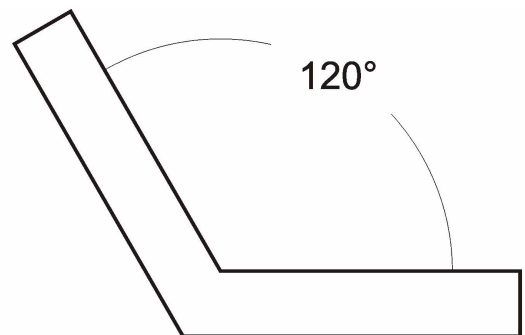
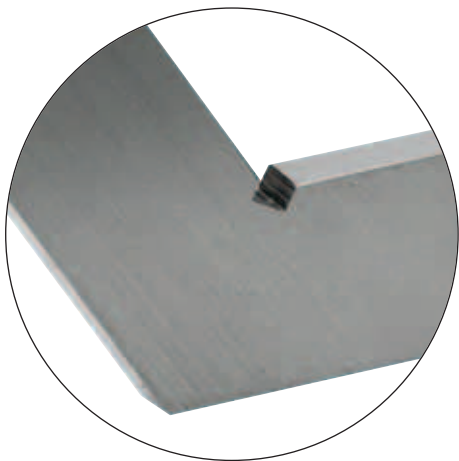


SECHSKANT-WINKEL 120°

STEEL SQUARES 120°



- 120°
- Normalstahl, ohne Anschlag
- DIN 875/2

- *Steel Squares 120°*
- *carbon steel, without back*
- *DIN 875/2*

Art.-Nr. Item no.	Abmessung Size mm
214.452	50 x 50
214.453	75 x 75
214.454	100 x 100
214.455	150 x 150
214.456	200 x 200