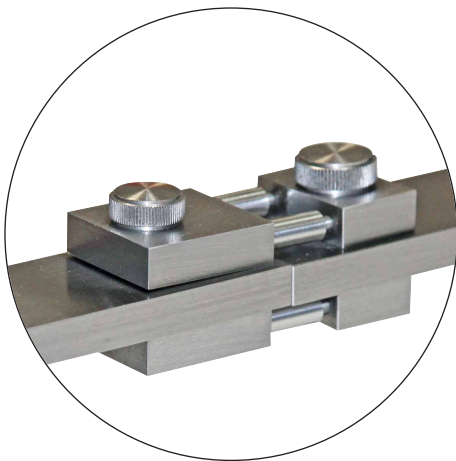
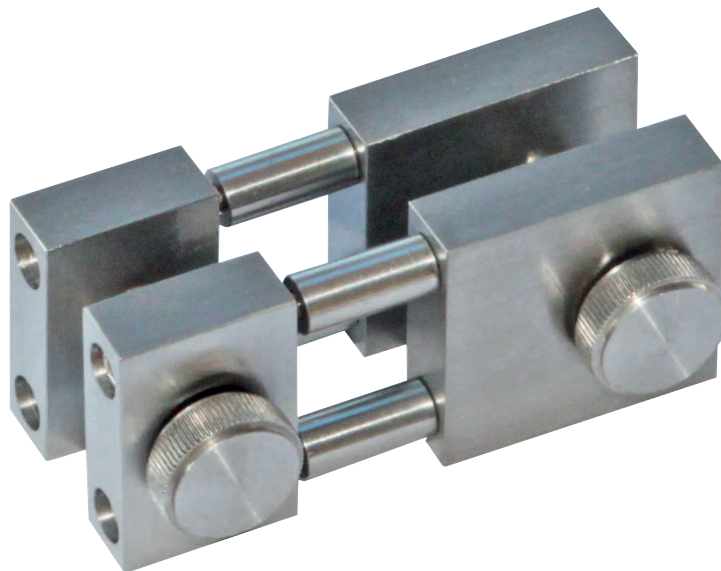


**ENDMASS-VERBINDER**

*GUAGE CONNECTOR*



- zur Verbindung von Endmaßen (ab 125 mm) mit Verbindungsbohrungen
- *for connection of gauge blocks (at 125 mm) with connection hole (at 125 mm)*

Art.-Nr. <i>Item no.</i>	Beschreibung <i>Description</i>
-----------------------------	------------------------------------

<b>317.131</b>	Verbinder für Endmaße ab 125 mm <i>Connector for gauge block at 125 mm</i>
----------------	---